

# Filling Containers

## for Coin Deposit Systems

### Safebag

Made of transparent PVC

Dimensions:

L x W: 495 x 605 mm  
(+120 mm fingerhole zone)

Filling weight up to 20 kg



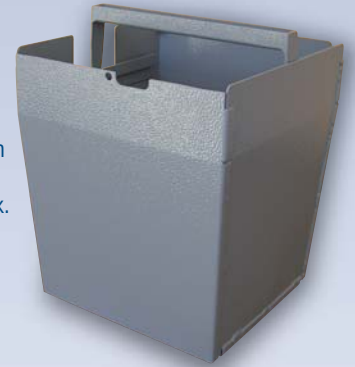
### Metal Box OPEN

Made of alloy with comfortable deceit handle

Dimensions:

L x W x H: 210 x 220 x 235 mm

Container weight: 1 kg approx.  
Filling weight up to 30 kg



### Returnable Bag

Made of fiber material, covered with blue plastic coating, with eyelet for closure, quadratic sewed, 2 carry straps

2 sizes:

STANDARD: 220 x 250 x 310 mm

LARGE: 210 x 280 x 490 mm

Filling weight up to 30 kg



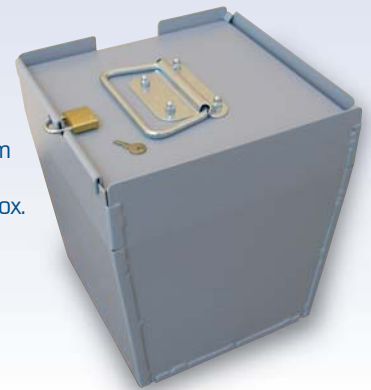
### Metal Box LOCKABLE

Made of alloy with deceit handle, top closing, padlock

Dimensions:

L x W x H: 210 x 220 x 235 mm

Container weight: 1,25 kg approx.  
Filling weight up to 30 kg



### Metal Box AMC

Automatic closing by electromechanical actuator; box made of alloy, padlock

Dimensions:

L x W x H: 210 x 220 x 235 mm

Container weight: 1,5 kg approx.  
Filling weight up to 30 kg



#### Novotech Bankssysteme GmbH

Freistädter Str. 38 | A-4210 Gallneukirchen

Tel. +43 (0) 7235-64 888-0 | Fax +43 (0) 7235-64 888-16 | office@novotech.at | www.novotech.at